



FEEDBACK

November 2012

Your Story:

Do you have a story, humorous or otherwise about amateur radio? If so, please contact the newsletter editor (wr8g@omega-link.com) and get it published in FEEDBACK.

You don't have to be a professional writer, or even a writer at all. If you're comfortable with writing, great! If not, relate the story in the fashion that you are comfortable with and let the editor do the rest.

Inside this issue:

Secretary's Report	3
Board Meeting Minutes	2
Treasurer's report	3
Hamfests	4
Club Repeaters	5
Upcoming events and local nets	6

Field Day Results

According to digital FIELD DAY RESULT information from ARRL, W8DF placed 118 in 158 entries for 4A. Not too bad considering the number of participants involved. An interesting side note, there were only EIGHT entries in 4AB, which is the 5 watt natural power category. Something to think more about.

Don-W8RVT

FCC GETTING FAST!

My 14 year old grandson in Sacramento successfully wrote his Tech exam on Saturday, Nov 3. On Wednesday, Nov 7, **KK6ATY** appeared in the FCC database. He called me that evening via Echolink on the W8DF 224.24 repeater to tell me the news.

Don-W8RVT

Marshall Hamfest

The flyer for the Marshall Hamfest has been posted online. The direct link is: <http://www.w8df.com/hamfest/hamfest2013.pdf>

News bites

In a notice of proposed rule making, the FCC is proposing to allow former Amateurs to regain their licenses without retesting. Also, the proposal would shorten the grace period for license renewals and reduce the minimum number of examiners to two for an exam. To see the complete Notice of Proposed Rule Making, go to <http://fcc.us/UyoPIS>. If you wish to make comments, the deadline is December 24th of this year.

GRE America, (the American distributors of Alinco radios) has announced that its parent company is temporarily suspending production of scanners for both the GRECOM and Radio Shack brands. This change does not effect the Alinco line of Amateur Radio equipment.

Postage rates are set to increase on the 27th of January. The new rate for a first class letter will be 46 cents and post cards will go up to 33

(Continued on page 2)



Board of Directors

President

Gary Williams, N8QC
n8qc@arrl.net

Vice President

Dave Ashbolt, K8OLY
k8oly@arrl.net

Secretary

John Davidson, W8JRD
w8jrd@arrl.net

Treasurer

Don Larkin, W8RVT
w8rvt@arrl.net

Past President

Bob Kingsbury, AC8GL
kings-boo@yahoo.com

Club Meeting

3rd Thursday of every month
Maple United Methodist Church
342 Capital Avenue NE
Battle Creek, MI 49017

Next Meeting

November 15th, 2012 @ 7 PM

BLB Luncheon

2nd Thursday of every month
Mancino's
1791 W. Columbia Avenue
Battle Creek, MI 49015

Next meeting

December 13th @ 11:30 AM

SMARS Breakfast

1st Saturday of every month
Homespun, 210 E. Columbia Av
Battle Creek, MI

Next Meeting

December 1st @ 8:30 AM

(Continued from page 1)

cents. In addition, the Postal Service is introducing a new "forever stamp" for international postage at a rate of \$1.10/ounce. See <http://pe.usps.com> for more information.

The annual Christmas dinner / party will be held on December 8th at Old Country Buffet starting at 6:00 PM. Last year's turn out was excellent and I'm looking forward to an even better turnout this year. Let's take the place over.

The German space agency has rejected AMSAT's plans for a satellite called "P5" to orbit Mars. AMSAT continues to look at other avenues to get the satellite into orbit.

SMARS Board Meeting October 29, 2012

Called to Order: 5:13 PM

Officers Present: Gary N8QC Doc K8OLY John W8JRD Don W8RVT

Topics:

- Doc has a source for the Hamfest tickets total cost \$50.
- Date of December 8 at Old Country Buffet for the Christmas party is confirmed.
- Progress is being made on a brochure for new hams. A prototype was discussed at the Ham in a Day on October 27.
- An error was made in the 2013 Hamfest date. This has been corrected.
- The CW class is up in the air for the present.
- A list of potential memorial books has been prepared. John will discuss with Willard about getting these ordered.
- Signage for the trailers was discussed with Don contacting the graphics vendor.
- A temporary repair was made on the trailer with the cracked front cap.
- SMARS Breakfast is November 3 at Homespun restaurant. Attendance has been good for the last several.
- Don and Tom WR8G have been discussing alternative power options for Field Day, including solar and battery.

Adjourned: 6:08 PM

Respectfully Submitted,

John Davidson W8JRD

SMARS Secretary

Income and Expense Statement
10/1/12 Through 10/31/12

Category Description	10/1/12- 10/31/12
INCOME	
Dues: 2013	132.00
TOTAL Dues	132.00
Interest Inc: Checking	0.59
TOTAL Interest Inc	0.59
TOTAL INCOME	132.59
EXPENSES	
Utilities: Telephone	69.29
TOTAL Utilities	69.29
TOTAL EXPENSES	69.29
TOTAL INCOME - EXPENSES	63.30

Meeting Minutes 10/18/2012

Meeting called to order at 7:00 p.m.
 Officers present – **Gary N8QC, Don W8RVT.**
 Secretary's report accepted.
 Treasurer's report accepted.

Committee reports:

- Hamfest – no one present to report. Don says the MAC should be locked in.
- RACES – trailer will be at Ft. Custer campground for 3 days, Friday thru Sunday (10/19 – 10/21). All are welcome to visit and work the station. You must have a Michigan State Park sticker to enter free. A Simulated Emergency Test will be conducted on the first Saturday of November. Come to breakfast that morning and then join in the SET!
- Field Day – no one present to report.
- VE Session – will be held on Thursday 10/25 at the meeting center @ 7:00 p.m.
- Flyer – a meeting was held on 10/20 where initial progress was made. A basic layout was agreed upon and assignments were handed out. Another meeting will be held on 10/27 where discussion will continue, including work on a Mission Statement.

Old Business:

- Christmas Party – Old Country Buffet has been booked for 12/08 at 6:00 p.m.

New Business:

- None.

Presentation: A presentation by Louie WB8WXS introduced us to different grinding wheels and abrasives.

Meeting adjourned at 8:30 (??)

Respectfully submitted,
Jay Jarrett KD8OXR

Humor

"BANDWIDTH" A Ham's Waist Size!

"Electricity originates inside clouds. There, it forms into lightning, which is attracted to the Earth by golfers. After entering the ground, the electricity hardens into coal, which, when dug up by power companies and burned in big ovens called 'generators,' turns back into electricity...where it is transformed by TV sets into commercials for beer, which passes through the consumers and back into the ground, thus completing what is known as a "circuit".....Dave Barry
 (I found these on www.hamuniverse.com)

THE BOOTLEGGER

A bootlegger walks into a radio store and tells the salesman that he would like to buy the new HF rig over in the corner. The salesman says, "Sorry, we don't sell to bootleggers". He leaves, goes home, puts on a brown wig and sunglasses and goes back to the store and tells the salesman he wants to buy that new rig over in the corner. Sales guy says, "Sorry, we don't sell to bootleggers". Old boot asks, "How do you know I'm a bootlegger?" and the salesman replies, "Because that's not a rig, it's a microwave oven."

12 METER BAND

CQ CQ UTAH FOR WORKED ALL STATES DE AC6V
 AC6V DE K6BULL - YOU'RE GONNA FIND IT TOUGH TO WORK
 WAS ON THIS BAND
 K6BULL DE AC6V - YEAH I KNOW -- HAVE 49 CONFIRMED -
 NEED UTAH
 ABSOLUTE SILENCE
 Found these last two on ac6v.com

Hamfests

11/17/2012: Indiana State Convention (Fort Wayne Hamfest & Computer Expo)

Fort Wayne, IN

Allen County Amateur Radio Technical Society

<http://www.fortwaynehamfest.com>

12/02/2012: LCARC Amateur Radio Swap/Hamfest

Harrison Township , MI

L'Anse Creuse Amateur Radio Club

<http://www.n8lc.org>

01/05/2013: 41st Annual Midwinter Swapfest

Waukesha, WI

West Allis Radio Amateur Club

<http://www.warac.org>

01/20/2013: SCARF's 17th Annual Hamfest

Nelsonville , OH

Sunday Creek Amateur Radio Federation

01/20/2013: WCRA Mid-Winter Hamfest

St. Charles, IL

Wheaton Community Radio Amateurs

<http://www.w9ccu.org>

01/27/2013: Tusco ARC Hamfest

Strasburg, OH

Tusco Amateur Radio Club

<http://www.tuscoarc.org>

02/03/2013: Winter Hamfest at NEW LOCATION!

Elyria, OH

Northern Ohio Amateur Radio Society

<http://www.NOARS.net>

02/16/2013: Mid-Winter Interclub SwapFest

Brookfield, WI

Milwaukee Radio Amateurs Club & Milwaukee Area Amateur Radio Society

<http://www.w9rh.org>

02/17/2013: Livonia ARC's 42nd Annual Swap & Shop

Livonia, MI

Livonia Amateur Radio Club

<http://www.livoniaarc.com/swap.htm>

02/17/2013: Mansfield Mid Winter Hamfest

Mansfield, OH

InterCity Amateur Radio Club

<http://www.w8we.org>

03/16/2013: 2013 Crossroads Hamfest

Marshall, MI

Southern Michigan Amateur Radio Society

<http://www.w8df.com/>

03/23/2013: MOVARC HamFest

Location: Gallipolis, OH

Mid-Ohio Valley Amateur Radio Club

<http://sites.google.com/site/midohiovalleyarc>

04/13/2013: Columbus Hamfest

Columbus, IN

Columbus Amateur Radio Club

<http://www.carcnet.org>

04/13/2013: Madison Hamfest

Stoughton, WI

Madison Area Repeater Association

<http://www.qsl.net/mara/swapfest.html>

04/20/2013: Milford Swap-N-Shop

Highland, MI

Milford ARC

04/20/2013: North Central Indiana Hamfest

Location: Peru, IN

Cass County ARC, Miami County ARC, Grant County ARC, & Kokomo ARC

<http://nci-hamfest.net>

Do you know of a amateur radio related event that isn't listed in this news letter? If so, please contact the newsletter editor (WR8G, Thomas Goodson, wr8g@omega-link.com, 269-962-8007) with details and I'll try to get it into the next edition of Feedback.

Used antenna towers

The club has obtained two Rohn-Spalding AX series antenna towers in heights of 40' and 48'. These towers are solid condition, but in need of a bit of TLC before they are put back up. Free to any needful Amateur, but, of course, club members will have first chance at these.

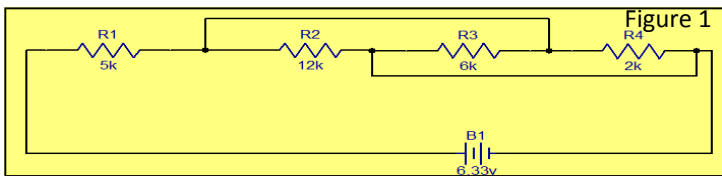
A few words on reconditioning an AX tower. This is a reasonably simple process. The first is removing all the loose rust (please note that you do NOT need to get to bare metal in most cases) and the second step is painting with paint specifically designed to cover rusted metal. (Such paint runs about \$60 and up a gallon, but a 48' tower will most likely only use about 1/2 gallon.) I have

recently completed installing an AX-48 that went through this process. I strongly recommend sand blasting to remove the rust. Either spray painting or a brush works great for painting (both seem to be about the same amount of work).

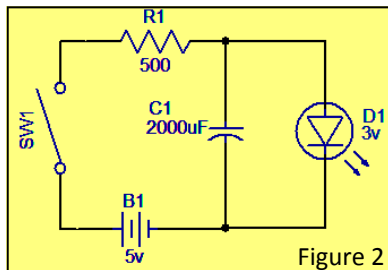
Anybody interested in either of these towers should contact Don, W8RVT or myself Tom, WR8G to make arrangements.

Electronics Corner

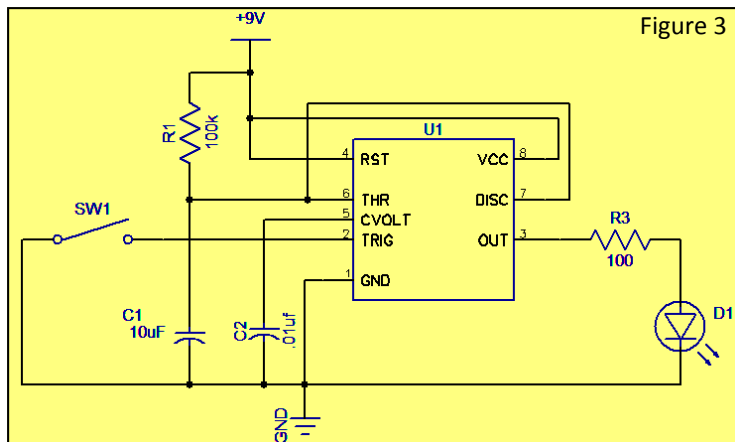
Ok, this month I'm going to present some simple timer circuits, but first I have a stumper for you. Please refer to figure 1. The question is simple, how much current flows through R1? There is a can of soda pop for the first person to answer correctly.



Ok, on to the subject. Most simple timer circuits are based on some type of RC time constant. If you refer to figure 2, you'll see an extremely simple timer circuit. Close SW1 and just about 1 second later LED D1 will illuminate. (The 3v rating on the LED is typical of a blue or white LED.) This circuit is a simple 1 second time constant of 2000uF (or .002F) and 500 Ohms. Any series RC circuit will charge the capacitor to 63% of the applied voltage after 1 time constant. In this case 63% of 5v is 3.15 or just about the turn on voltage of the LED.



While this circuit certainly will work, it has several problems. The main issue is the limited amount of current that it can supply to the LED (5v / 500 ohms = 10ma) using reasonable values and the interaction for C1. So, a more complex circuit is needed. The 555 timer IC is probably the best known and most versatile timer circuit on the market, so let's use that.



In figure 3, you will see a simple 1 second timer using the 555. A couple of things should stand out right away. The first is the change of values of R1 and C1. Since C1 is much smaller in value, it costs less and takes up less space. The second is a new resistor that controls the current through the LED. Assuming that this LED has the same voltage drop as that in figure 2, the current through it will be (9v - 3v) / 100 ohms = 60ma. This is a much more reasonable value for a white LED, but more importantly, you can adjust this value without effecting the timing of the circuit.

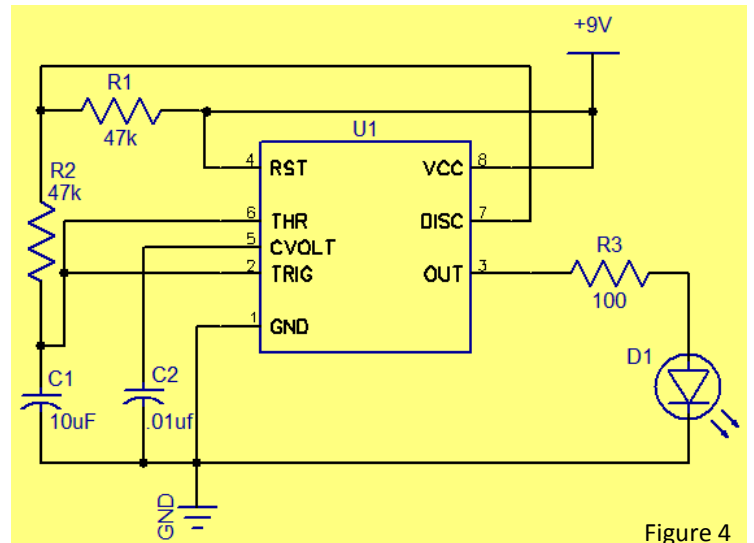


Figure 4 is just one example of why the 555 is so popular, with the addition of a single resistor and the deletion of the switch from figure 3 you transform the circuit from a simple mono-stable timer into an oscillator or a multi-stable timer. The output duty cycle is about 2/3. C1 is charged through R1 and R2, but discharged through only R2 which gives a frequency of about 1Hz. Since the trigger level is 1/3 of the input voltage and the threshold voltage is 2/3, the voltage on C1 will oscillate between those values. This also results in a slightly odd formula to compute the frequency: $f = 1.44 / ((R1+2R2)C1)$. If you apply this formula to the values in the circuit, you come up with 1.02Hz. More next month. -WR8G

S.M.A.R.S. W8DF Club Repeaters

Southern Michigan Amateur Radio Society

2 Meter Repeater 146.660 MHz

-600KHz offset, PL 94.8

70cm Repeater 443.950 MHz

+5MHz offset, PL 94.8

1.25 Meter Repeater 224.240 MHz

-1.6MHz offset

70cm and 1.25 meter repeaters are linked.

Also available via echolink.

W8DF-5 144.39MHz Digipeater/Igate

Find it on www.aprs.fi

Other Area Repeaters: Skywarn/ARES/RACES

2 Meter: 147.12, +600KHz offset, PL 186.2

70cm: 442.350, +5MHz offset, PL 94.8



SOUTHERN MICHIGAN AMATEUR RADIO SOCIETY

FEEDBACK



SMARS

P.O. Box 934

Battle Creek, MI 49016

FIRST CLASS MAIL



SMARS NETS

Before Lunch Bunch
Monday—Friday 11:30 AM, 146.66

Sunday Evening 8:00 PM, 146.66
Monday 7:00 PM, 147.12 (Skywarn)
Monday 8:00 PM, 224.24
Wednesday 7:00 PM, 443.95
Wednesday 8:00 PM, 28.365
Saturday 8:00 PM, 443.95

Upcoming events:

Club meeting: November 15th @ 7:00 PM
SMARS Breakfast: December 1st @ 8:30 AM
Christmas Party: December 8th @ 6:00 PM
BLB Luncheon: December 13th @ 11:30 AM