



FEEDBACK

February 2013

Your Story:

Do you have a story, humorous or otherwise about amateur radio? If so, please contact the newsletter editor (wr8g@omega-link.com) and get it published in FEEDBACK.

You don't have to be a professional writer, or even a writer at all. If you're comfortable with writing, great! If not, relate the story in the fashion that you are comfortable with and let the editor do the rest.

Inside this issue:

Secretary's Report	3
Board Meeting Minutes	3
Treasurer's report	5
Hamfests	4
Club Repeaters	5
Upcoming events and local nets	6

SMARS Repeaters

As we all know, SMARS operates three repeaters in Battle Creek. All three repeaters have some interesting features available to members. Three of these features are described below.

On all three repeaters, while pressing PTT, press 84 on the tone pad. The repeater will respond with the time. Press PTT and 578 followed by any tone pad keys. The repeater will respond speaking the tones entered. This is intended to test a tone pad.

The 2 meter repeater only has a "signal report" capability. A user can record up to 7 seconds of a transmission and the repeater will play it back. While pressing PTT, enter 72* then release PTT. The repeater will respond "START TEST NOW." Transmit a message (maximum 7 seconds) and release PTT. The repeater then transmits that message. This is like standing in front a a mirror, except you get to hear what you sound like and hear the quality of your signal. Remember to ID when finished!

Don-W8RVT

Random bits

- The club is looking for a person to be responsible for bringing refreshments to the monthly meeting. In addition to bringing the refreshments, this person would also make the coffee. If you are willing to fill this role, please contact any of the club officers.
- Tom, WR8G has been appointed to fill the vacant position of Member At Large (normally filled by the Past President)
- The Crossroads Hamfest is coming up on March 16th. Volunteers are needed for setup, break down, ticket sales and concessions. If you are available to help, please let a member of the hamfest committee know.
- The board is conducting a review of the club Constitution and By Laws. If you have any concerns with the current documents, please contact a board member so that we can make needed changes/updates.
- There have been updates to the club web-site. These include information on the next Ham-In-A-Day and Skywarn training session.



Board of Directors

President

Gary Williams, N8QC
n8qc@arrl.net

Vice President

Dave "Doc" Ashbolt, K8OLY

Secretary

Jay Jarrett, KD8OXR
kd8oxr@hughes.net

Treasurer

Don Larkin, W8RVT
w8rvt@arrl.net

Member At Large

Tom Goodson, WR8G
wr8g@arrl.net

Club Meeting

3rd Thursday of every month
Maple United Methodist Church
342 Capital Avenue NE
Battle Creek, MI 49017

Next Meeting

February 21st, 2013 @ 7 PM

BLB Luncheon

2nd Thursday of every month
Mancino's
1791 W. Columbia Avenue
Battle Creek, MI 49015

Next meeting

March 14th @ 11:30 AM

SMARS Breakfast

1st Saturday of every month
Homespun, 210 E. Columbia Av
Battle Creek, MI

Next Meeting

March 2nd @ 8:30 AM

Great chance to get young people involved in Amateur Radio!

Do you know somebody in Scouts that might be interested in obtaining an Amateur Radio license?

From the ARRL website:

The Boy Scouts of America (BSA) has approved an Amateur Radio Operator rating strip for Scouts and Scouters to wear on their uniforms. According to BSA Communication Services Director Jim Wilson, K5ND, the strip recognizes the Scout or Scouter's availability as an Amateur Radio operator for communication services for events and activities, as well as emergencies. All registered youth members and adult leaders who also hold a valid FCC-issued Amateur Radio license of any class are eligible to wear the rating strip.

This is in addition to the Morse Code Interpreter's Strip announced last year. Both of these are great opportunities to reach out to youths and help them get started!

73,
John W8JRD

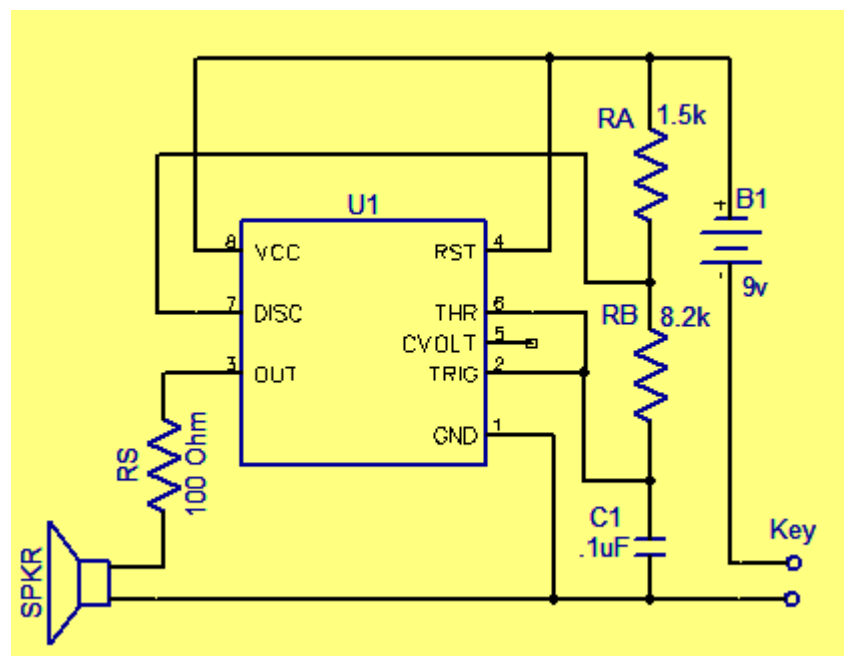
Cheap and Easy Code practice Oscillator

This easy to build Code Practice Oscillator is built around an astable LM555 timer IC. All three resistors are 1/4 watt. As designed, it runs at about 800 hertz and may be altered by small changes in the value of RB. Any speaker may be used. Headphones or ear buds will also work. Volume may be adjusted by changing the value of RS between 100 and 1500 ohms. It is powered with a 9 volt battery and consumes no power when the key is open. The oscillator can be constructed on a perf board.

Parts are available from Radio Shack with numbers below.

LM555 #276-1723 or TLC555 #276-1718
Perf Board #276-148 or equivalent

Don-W8RVT



Board Meeting 02/04/2013

Attendees: **Gary N8QC, Don W8RVT, Tom WR8G, Jay KD8OXR, Stephanie W8AEZ, John W8JRD.**

CW class. Don has an email regarding delinquent members who should be in good standing before they can attend the class. This was corrected at the meeting.

SKYWARN training on March 30th, location to be discussed later.

SKYWARN net. Mention was made of possibly dropping the 440 link. Since the 146.660 repeater is always mentioned as the backup frequency, shouldn't it be checked on a regular basis? Should we use the two repeaters and the 2m simplex frequency? No decision was made, more discussion is needed.

Ham In a Day will not be held at the Lakeview Middle School but at the City Garage on Kendall St., north of the RR tracks. An official flyer is in the works.

March of Dimes Walk at the end of April should have the communications needs filled by the club, to help to promote the clubs existence. This will be talked up at the next general meetings.

The telephone bill has increased to \$70/month. Discussed whether the phone is needed and decided, at least for now, that it is, to offer communications if anyone has to work on the repeater. Item tabled for now.

Hamfest. 24 tables and 13 tickets sold to date, which is normal for this time of the year. Expectation is that a flood of requests will come as time goes on.

At Large position. It was agreed that an At Large position was needed to assure quorum calls and to break ties. Since the board has the power to appoint members to open positions, **Tom, WR8G** was appointed and he accepted. This led to a discussion of reviewing the Constitution to make sure it is current and correct. This will be an ongoing process for the board members.

The coffee/snack provider position is still open. This was a position that the board did not feel could be appointed so it will remain open until someone steps forward to volunteer.

Don has agreed to make a presentation on Echolink at the next general meeting.

The club is looking for a "special event" reason to set up a trailer this spring. If anyone is interested in proposing one to cover, please bring it up at the next general meeting, or contact a board member.

Library donation. John mentioned that the ARRL has a pre-packaged donation packet that consists of most of the "necessary" manuals for Amateur Radio. This included an Operator's Manual, the Antenna Handbook, as well as several other handbooks. This packet is available for \$200, about half the price of all manuals combined. The board authorized John to pursue this option, considering the amount of money in the memorial fund. Also, a new library director has agreed that the club may now give gifts to the library instead of the library ordering donations, streamlining the process.

Meeting adjourned at 5:45

Respectfully submitted,
Jay Jarrett, KD8OXR, Secretary

Meeting Minutes 01/17/2013

Meeting called to order at 7:00 p.m.

Pledge of Allegiance

Introductions

Officers present – **Gary N8QC, Doc K8OLY, Don W8RVT, Jay KD8OXR.**

Secretary's report accepted. Treasurer's report accepted.

Committee reports:

Hamfest – Tom reports that the first batch of tickets have been sent out with confirmations. Tickets were available for early purchase. Don has a contract from MAC and has made the first installment. Next month's meeting will have a sign-up sheet for Hamfest work. Jordan was asked to recruit some of his classmates to help with the setup (he volunteered to skip school but was vetoed).

RACES – Ken reports that a SKYWARN training class will be held on March 30th at 10:00 a.m. at the Lakeview Middle School auditorium. Only the introductory class will be held. The Eaton County SKYWARN training will be held March 22nd and 23rd at Olivet College.

Field Day – Don explains the QRP requirements that the club will be running this year. A generator can be used to power the lights and computers, but all radios must be powered with batteries and/or renewable sources, including wind and solar power. To that end,

(Continued on page 5)

Hamfests

02/23/2013: CABIN FEVER HAMFEST
LaPorte, IN
LaPorte County Amateur Radio Club
<http://lpcarc.org>

02/23/2013: DARC Hamfest
Dugger, IN
Dugger Amateur Radio Club

02/23/2013: IBRO Hamfest & Computer Show
Brookville, OH
non-ARRL Hamfest
International Brotherhood of Radio Operators
<http://www.kd8knx.org>

03/03/2013: SRFARS Hamfest
Sterling, IL
Sterling Rock-Falls ARS
<http://w9mep.org>

03/09/2013: 2013 Terre Haute Hamfest & Computer Expo (9:00 AM—2:00 PM EST)
Dede Activity Center, Indiana State University
(39° 28' 16" N, 87° 24' 39" W)
<http://www.w9uuu.org>

03/16/2013: 2013 Crossroads Hamfest
Marshall, MI
Southern Michigan Amateur Radio Society
<http://www.w8df.com/>

03/17/2013: Hamfest 2013
Jefferson, WI
Tri-County Amateur Radio Club (W9MQB)
<http://www.w9mqb.org>

03/17/2013: TMRA Radio/Computer/Electronics Hamfest
Perrysburg, OH
Toledo Mobile Radio Association
<http://www.tmrahamradio.org>

03/23/2013: MOVARC HamFest
Gallipolis, OH
Mid-Ohio Valley Amateur Radio Club
<http://sites.google.com/site/midohiovalleyarc>

03/30/2013: A.R.G.Y.L. Hamfest
Lowell, MI
Amateur Radio Group of Youth in Lowell
<http://www.argyl.org>

04/05/2013: AES SUPERFEST 2013
Milwaukee, WI
Amateur Electronic Supply
<http://www.aesham.com>

04/13/2013: 59th Annual Hamfest
Cuyahoga Falls, OH
Cuyahoga Falls Amateur Radio Club
<http://www.cfar.org/hamfest2013.html>

04/13/2013: Columbus Hamfest
Columbus, IN
Columbus Amateur Radio Club
<http://www.carcnet.org>

04/13/2013: Madison Hamfest
Stoughton, WI
Madison Area Repeater Association
<http://www.qsl.net/mara/swapfest.html>

04/20/2013: Jackson County ARC Hamfest
Jackson, OH
Jackson County ARC

04/20/2013: Milford Swap-N-Shop
Highland, MI
Milford ARC

04/20/2013: North Central Indiana Hamfest
Peru, IN
Cass County ARC, Miami County ARC, Grant County ARC,
& Kokomo ARC
<http://nci-hamfest.net>

04/21/2013: Arthur Hamfest
Arthur, IL
Moultrie Amateur Radio Klub
<http://www.qsl.net/mark/>

05/04/2013: Ozaukee Radio Club's May Hamfest
Cedarburg, WI
Ozaukee Radio Club
<http://www.ozaukeeradioclub.org>

Do you know of a amateur radio related event that isn't listed in this news letter? If so, please contact the news-letter editor (WR8G, Thomas Goodson, wr8g@omega-link.com, 269-962-8007) with details and I'll try to get it into the next edition of Feedback.

(Listing in **bold** have provided information about the Marshall Hamfest to their members)

(Minutes, continued from page 3)

the wind powered generator agreed upon at the board meeting has been received. Work must be done to effectively mount same to a trailer.

VE Session – John reports that the VE session on 12/27 actually drew some candidates. The Ham In A Day session had 17 candidates, with 9 passing their Technician tests and 2 upgrading. There will be a VE session on February 28th and one at the Hamfest on March 16th. The next Ham In A Day has not been confirmed as yet.

Other – Code class. Classes will begin February 5th and run for 12 weeks. Each class will begin at 7:00 p.m. but access to the classroom won't be available until 6:50 due to prior use. The more students who sign up, the less it will cost each one. Remember, the club is paying for half of the room rent, thus, only club members are eligible to take the class. Gary has begun a list of interested members. Contact him at N8QC@ARRL.net to sign up.

Old Business:

The open position of Vice-President was filled by the board appointing Doc to the position.

Refreshments will not be provided until someone steps up and assumes the responsibility.

New Business:

Breakfast at the Homespun Restaurant will be February 2nd at 8:30. Attendance has been increasing and, if we get a few more regulars to attend, we should be able to make reservations so everyone can be seated at the "adult" table.

Dave reports that a siren test will be conducted again on February 2nd.

Presentation: No presentation scheduled.

Meeting adjourned at 7:50

Respectfully submitted,
Jay Jarrett KD8OXR, Secretary

Of Special Interest.

I thought the Club members would enjoy this commercial.

<http://vimeo.com/54892553>

WD8DVQ, Gary Criteser

Income and Expense Statement

1/1/13 Through 1/31/13

Category Description	1/1/13-1/31/13
INCOME	
50 50	17.00
Dues	64.00
Gift Received	20.00
Hamfest Inc:	
Tables	150.00
Tickets	60.00
TOTAL Hamfest Inc	210.00
Interest Inc:	
Checking	0.60
TOTAL Interest Inc	0.60
TOTAL INCOME	311.60
EXPENSES	
Equipment	510.97
Hamfest:	
Facility	750.00
Tickets	50.00
TOTAL Hamfest	800.00
Meetings:	
Rent	120.00
VE Rent	60.00
TOTAL Meetings	180.00
Utilities:	
Telephone	79.08
TOTAL Utilities	79.08
TOTAL EXPENSES	1,570.05
TOTAL INCOME - EXPENSES	-1,258.45

S.M.A.R.S. W8DF Club Repeaters

Southern Michigan Amateur Radio Society

2 Meter Repeater 146.660 MHz

-600KHz offset, PL 94.8

70cm Repeater 443.950 MHz

+5MHz offset, PL 94.8

1.25 Meter Repeater 224.240 MHz

-1.6MHz offset

70cm and 1.25 meter repeaters are linked.

Also available via echolink.

W8DF-5 144.39MHz Digipeater/Igate

Find it on www.aprs.fi

Other Area Repeaters:

Skywarn/ARES/RACES

2 Meter: 147.12, +600KHz offset, PL 186.2

70cm: 442.350, +5MHz offset, PL 94.8



SOUTHERN MICHIGAN AMATEUR RADIO SOCIETY

FEEDBACK



SMARS

P.O. Box 934

Battle Creek, MI 49016

FIRST CLASS MAIL



SMARS NETS

Before Lunch Bunch

Monday—Friday 11:30 AM, 146.66

Sunday Evening 8:00 PM, 146.66

Monday 7:00 PM, 147.12 (Skywarn)

Monday 8:00 PM, 224.24 / 443.95

Wednesday 7:00 PM, 224.24 / 443.95

Wednesday 8:00 PM, 28.365

Saturday 8:00 PM, 224.24 / 443.95

Upcoming events:

Club meeting: February 21st @ 7:00 PM

VE Session: February 28th @ 7:00 PM

SMARS Breakfast: March 2nd @ 8:30 AM

BLB Luncheon: March 14th @ 11:30 AM

2012 Crossroads Hamfest: March 16th, 8:00AM-Noon

(VE Testing starting at 10:00AM)

Club meeting: March 21st @ 7:00 PM